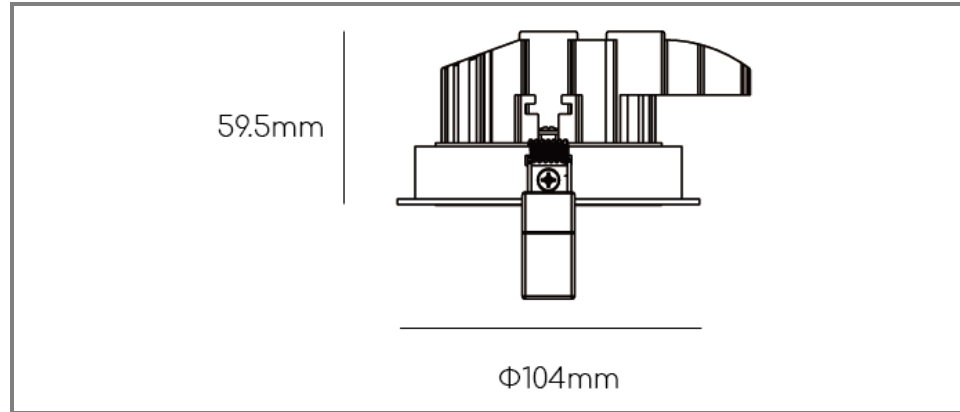


TADDEO 80T

Updated 2018/5/14

Downlight



COMPLIANCE

IEC60598
IEC62471

IEC62778



PHYSICAL CHARACTERISTICS

INSTALLATION	Recessed
CUT-OUT SIZE	Ø98mm
DIMENSION	Ø104mm x H59.5mm
LENGTH	n/a
CEILING THICKNESS RANGE	n/a
FIXING SYSTEM	Recessed
ADJUSTABILITY	Tilt +/-30°
ROTATION	n/a
IP-RATING	IP20/IP44
IK-RATING	IK03
FIXTURE MATERIAL	Housing: Die-Cast Aluminum
STANDARD FINISH	White / Black
FINISH TYPE	Powder Coating

ELECTRIC / PHOTOMETRIC DATA

LIGHT SOURCE	CLU028-1204C4
CHROMATICITY TOLERANCE	SDCM-3
LED CURRENT	400 mA
NOMINAL POWER	13.7 W
NOM LUMINOUS FLUX	1637 lm
NOMINAL EFFICACY	119 lm/W
SYSTEM POWER	15.2 W
LUMINAIRE LUMINOUS FLUX	900 lm
SYSTEM EFFICACY	59 lm/W
COLOR RENDITION OPTIONS	Ra ≥ 90, R9 ≥ 50
COLOR TEMPERATURE	3000K
BEAM ANGLE OPTIONS	15° / 25° / 40° / 60°
DIMMING OPTION(S)	TRIAC, 1-10V, DALI

MISCELLANEOUS SPECIFICATIONS

ENERGY CLASS	A
MAINS VOLTAGE	100-240 V AC
FREQUENCY	50/60 Hz
SAFETY CLASS	III
ENVIRONMENTAL TEMP.	-20°C / +40°C
RATED SERVICE LIFE (h)	50,000
WARRANTY	5 years

TADDEO 80T

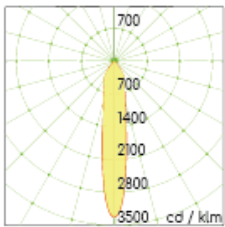
Updated 2018/5/14

Downlight

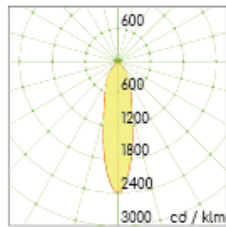
RECOMMENDED DRIVER OPTIONS / SPECIFICATIONS

DRIVER (MFR#)	DIMMING OPTIONS	DIMENSIONS (L x W x H)	OUTPUT POWER	OUTPUT CURRENT	POWER FACTOR	EFFICIENCY	RIPPLE CURRENT
TCI #122201	On / Off	110.4 x 52 x 22mm	20W	400mA	0,97	>88	≤ 3%
TCI #123400	1-10V & PUSH	103 x 67 x 30mm	18W	350mA	0,95	>89	≤ 3%
TCI #123403	DALI	110.4 x 52 x 22mm	17W	400mA	0,92	>87	≤ 3%
TCI #127030	TRIAC	110.4 x 52 x 22mm	18W	350mA	0,95	>89	≤ 20%

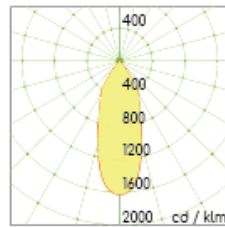
PHOTOMETRICS



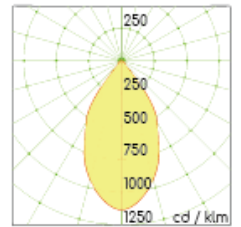
15D



25D



40D



60D

OPTIONAL ACCESSORIES

HONEYCOMB LOUVER



FROSTED LENS



CLEAR LENS

