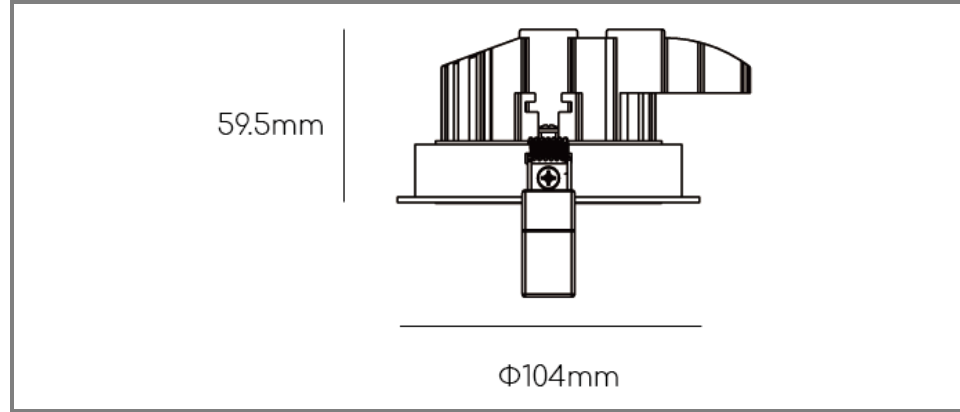


TADDEO 80T

Updated 2018/5/14

Downlight



COMPLIANCE

IEC60598
IEC62471

IEC62778



PHYSICAL CHARACTERISTICS

| | |
|-------------------------|----------------------------|
| INSTALLATION | Recessed |
| CUT-OUT SIZE | Ø98mm |
| DIMENSION | Ø104mm x H59.5mm |
| LENGTH | n/a |
| CEILING THICKNESS RANGE | n/a |
| FIXING SYSTEM | Recessed |
| ADJUSTABILITY | Tilt +/-30° |
| ROTATION | n/a |
| IP-RATING | IP20/IP44 |
| IK-RATING | IK03 |
| FIXTURE MATERIAL | Housing: Die-Cast Aluminum |
| STANDARD FINISH | White / Black |
| FINISH TYPE | Powder Coating |

ELECTRIC / PHOTOMETRIC DATA

| | |
|-------------------------|-----------------------|
| LIGHT SOURCE | CLU028-1204C4 |
| CHROMATICITY TOLERANCE | SDCM-3 |
| LED CURRENT | 400 mA |
| NOMINAL POWER | 13.7 W |
| NOM LUMINOUS FLUX | 1983 lm |
| NOMINAL EFFICACY | 145 lm/W |
| SYSTEM POWER | 15.2 W |
| LUMINAIRE LUMINOUS FLUX | 1091 lm |
| SYSTEM EFFICACY | 72 lm/W |
| COLOR RENDITION OPTIONS | Ra ≥ 80, R9 ≥ 50 |
| COLOR TEMPERATURE | 5000K |
| BEAM ANGLE OPTIONS | 15° / 25° / 40° / 60° |
| DIMMING OPTION(S) | TRIAC, 1-10V, DALI |

MISCELLANEOUS SPECIFICATIONS

| | |
|------------------------|---------------|
| ENERGY CLASS | A |
| MAINS VOLTAGE | 100-240 V AC |
| FREQUENCY | 50/60 Hz |
| SAFETY CLASS | III |
| ENVIRONMENTAL TEMP. | -20°C / +40°C |
| RATED SERVICE LIFE (h) | 50,000 |
| WARRANTY | 5 years |

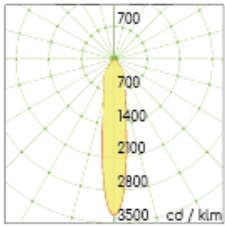
TADDEO 80T
Downlight

Updated 2018/5/14

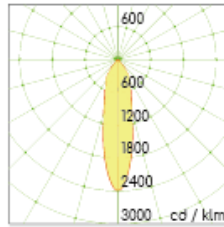
RECOMMENDED DRIVER OPTIONS / SPECIFICATIONS

| DRIVER (MFR#) | DIMMING OPTIONS | DIMENSIONS (L x W x H) | OUTPUT POWER | OUTPUT CURRENT | POWER FACTOR | EFFICIENCY | RIPPLE CURRENT |
|---------------|-----------------|------------------------|--------------|----------------|--------------|------------|----------------|
| TCI #122201 | On / Off | 110.4 x 52 x 22mm | 20W | 400mA | 0,97 | >88 | ≤ 3% |
| TCI #123400 | 1-10V & PUSH | 103 x 67 x 30mm | 18W | 350mA | 0,95 | >89 | ≤ 3% |
| TCI #123403 | DALI | 110.4 x 52 x 22mm | 17W | 400mA | 0,92 | >87 | ≤ 3% |
| TCI #127030 | TRIAC | 110.4 x 52 x 22mm | 18W | 350mA | 0,95 | >89 | ≤ 20% |

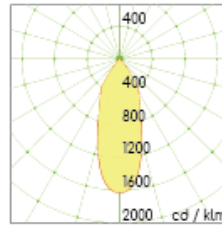
PHOTOMETRICS



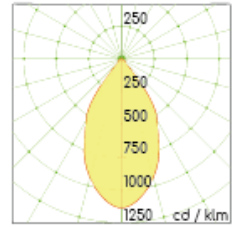
15D



25D



40D



60D

OPTIONAL ACCESSORIES

HONEYCOMB LOUVER



FROSTED LENS



CLEAR LENS

