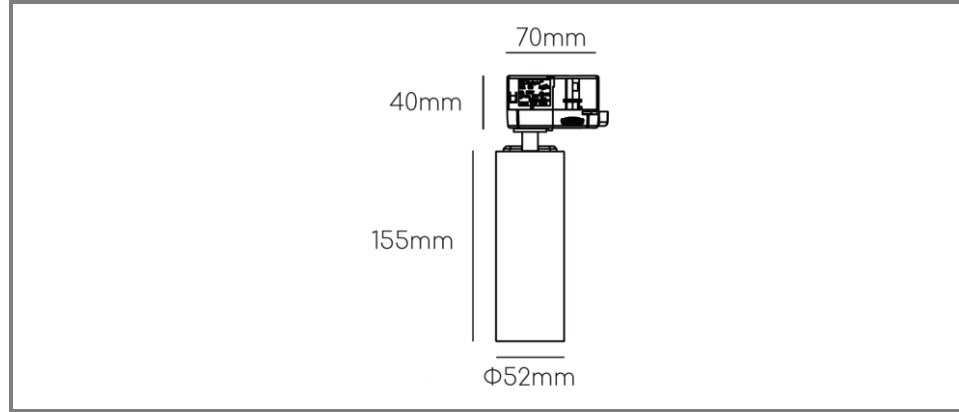


**TRAC 15W**  
Tracklight

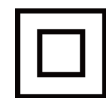
Updated 2018/5/14



COMPLIANCE

IEC60598 | IEC62778 | CE

IEC62471



## PHYSICAL CHARACTERISTICS

INSTALLATION	Track mounted (4-Wire/ 2-Wire)
CUT-OUT SIZE	n/a
DIMENSION	Ø52mm x H214mm
LENGTH	70mm
CEILING THICKNESS RANGE	n/a
FIXING SYSTEM	3 Circuit Track System/ Single Circuit Track System
ADJUSTABILITY	Tilt 90°
ROTATION	Rotate 355°
IP-RATING	IP20
IK-RATING	IK03
FIXTURE MATERIAL	Housing: Die-Cast Aluminum
STANDARD FINISH	White / Black
FINISH TYPE	Powder Coating

## ELECTRIC / PHOTOMETRIC DATA

LIGHT SOURCE	CLU028-1204C4
CHROMATICITY TOLERANCE	SDCM-3
LED CURRENT	360 mA
NOMINAL POWER	11.6 W
NOM LUMINOUS FLUX	1470 lm
NOMINAL EFFICACY	127 lm/W
SYSTEM POWER	13.6 W
LUMINAIRE LUMINOUS FLUX	809 lm
SYSTEM EFFICACY	59 lm/W
COLOR RENDITION OPTIONS	Ra ≥ 90, R9 ≥ 50
COLOR TEMPERATURE	3000K

## MISCELLANEOUS SPECIFICATIONS

ENERGY CLASS	A
MAINS VOLTAGE	100-240 V AC
FREQUENCY	50/60 Hz
SAFETY CLASS	III
ENVIRONMENTAL TEMP.	-20°C / +40°C
RATED SERVICE LIFE (h)	50,000
WARRANTY	5 years

## TRAC 15W

Updated 2018/5/14

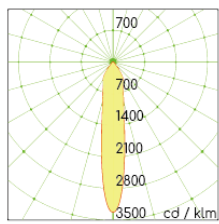
Tracklight

BEAM ANGLE OPTIONS                      15° / 25° / 40°  
 DIMMING OPTION(S)                      n/a

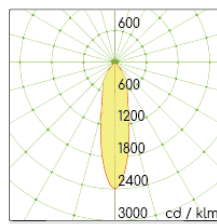
### RECOMMENDED DRIVER OPTIONS / SPECIFICATIONS

DRIVER (MFR#)	DIMMING OPTIONS	DIMENSIONS (L x W x H)	OUTPUT POWER	OUTPUT CURRENT	POWER FACTOR	EFFICIENCY	RIPPLE CURRENT
TCI #122360	On / Off	115 x 34 x 19mm	15W	360mA	0.64	>82	≤ 3%
/	1-10V & PUSH	/	/	/	/	/	/
/	DALI	/	/	/	/	/	/
/	TRIAC	/	/	/	/	/	/

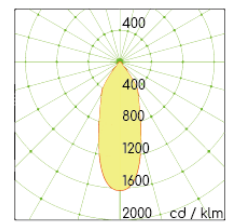
### PHOTOMETRICS



15D



25D



40D

### OPTIONAL ACCESSORIES

HONEYCOMB LOUVER



FROSTED LENS



CLEAR LENS

